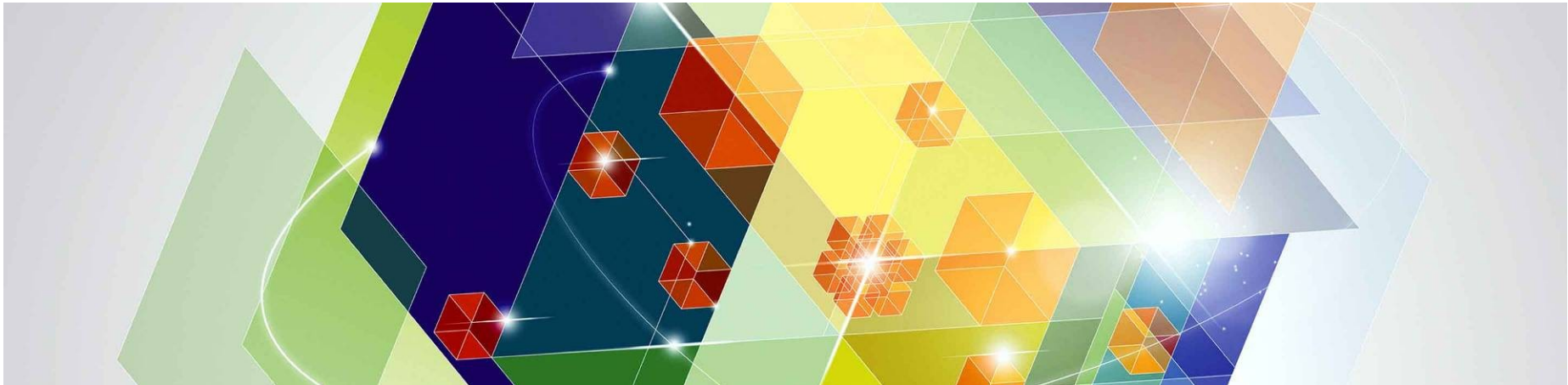


Cloud Computing with xCAT on z/VM

Thang Pham
z/VM Development Lab
thang.pham@us.ibm.com



What is cloud computing?

- A service to deliver the computing power for what you need
- Hardware and software resources are pooled together over the network
 - Scale up or down as needed
 - Users access these resources through a self-service interface
 - Resource usage is metered and billed
- Virtualization is the key to cloud computing

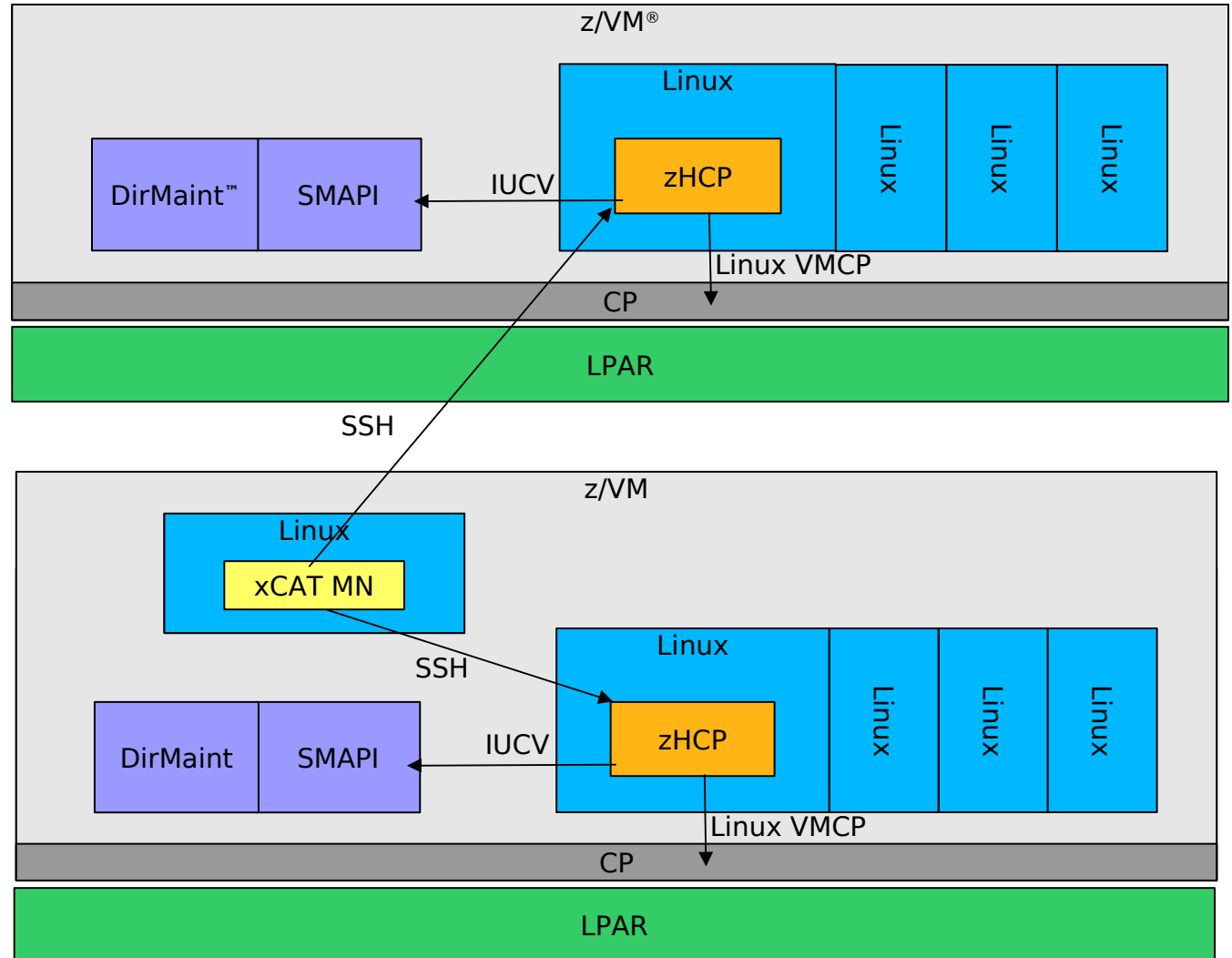
Where does xCAT fit in?

- It provides the tools you need to administer your cloud
 - Automate redundant steps, e.g. Linux installation
 - Monitor virtual machines
 - Manage virtual resources
- xCAT is not a cloud operating system
 - You still need to tell xCAT what to do
 - You still need a system administrator
- xCAT is a toolkit
 - Equivalent to virt-manager or virsh for KVM
 - Tool to manage, provision, and monitor physical and virtual machines on IBM System x[®], IBM System p[®], and IBM System z[®]
 - Provides rudimentary cloud functionality

How can xCAT help me build a cloud?

- xCAT provides most of what you already need to administer a cloud
 - Provisioning
 - Monitoring
- You just need to tie it all together to
 - Automate provisioning and de-provisioning of virtual resources
 - Improve monitoring of virtual resources
 - Add billing and metering
 - Enhance it to provide a self-service interface (partly done)

How does it work?



xCAT MN: Central management server running on normal Linux®

zHCP: Runs on privileged VM and manages other VMs via SMAPI and CP

What can xCAT do?

Feature	Description
Lifecycle management	<ul style="list-style-type: none"> ▪ Power on or off any virtual machine (VM) ▪ Create VM based on a user directory entry or specified CPU, memory, disk, user profile, etc. ▪ Edit the user directory entry of an existing VM ▪ Delete any VM ▪ Migrate a VM between any z/VM hosts within an SSI cluster ▪ Evacuate every VM off of a z/VM host onto another z/VM host
Inventory	<ul style="list-style-type: none"> ▪ Collect the software (OS version and z/VM host) and hardware inventory (CPUs, disks, and networks) of any VM or z/VM host ▪ Collect the inventory of resources available for any z/VM, such as the networks available and the disks available in any disk pool
Image management	<ul style="list-style-type: none"> ▪ Clone any Linux VM ▪ Install a brand new Linux on any VM using AutoYast or Kickstart ▪ Create new Linux VM based on a shared NFS read-only root filesystem

What more can xCAT do?

Feature	Description
Network management	<ul style="list-style-type: none"> ▪ Add or delete network devices from any VM ▪ Create or delete virtual switches or virtual network LANs on any z/VM host ▪ Supports layer 2 and 3 QDIO Guest LAN, VSWITCH, and HiperSockets™
Storage management	<ul style="list-style-type: none"> ▪ Add or delete ECKD™, FBA, or native SCSI/FCP disks from a disk pool ▪ Add or delete ECKD, FBA, or native SCSI/FCP disks from VM ▪ Attach or detach ECKD, FBA, or native SCSI/FCP disks from a z/VM
Operating system (OS) management	<ul style="list-style-type: none"> ▪ Upgrade the Linux OS ▪ Add, update, or delete software packages on any Linux VM ▪ Includes basic xCAT features, such as remote shell, post-scripts, rsync, etc.
Monitoring	<ul style="list-style-type: none"> ▪ Monitor any Linux VM, gathering network, disk, CPU load, and memory usage via Ganglia

What can xCAT do in the future?

Feature	Description
Image management	<ul style="list-style-type: none">▪ Capture (snapshot) and deploy (restore) any Linux VM
Storage management	<ul style="list-style-type: none">▪ Support copying SCSI/FCP devices
Monitoring	<ul style="list-style-type: none">▪ Monitor z/VM and Linux VMs via Performance Toolkit for VM™
Security	<ul style="list-style-type: none">▪ Integrated SELinux and RACF support

What does xCAT support?

z/VM

z/VM version 5.4/6.2



redhat.

Red Hat Enterprise Linux (RHEL) 5.4/5.5/5.6/6.0/6.1/6.2/6.3



SUSE Linux Enterprise Server (SLES) 10.3/10.4/11.0/11.1/11.2

Who works with xCAT?



- Intelligent cloud management end-to-end platform
 - Intelligent decision-automation system
 - Auto-response to events and incidents
 - Auto-VM migration to maximize utilization
 - Auto-power management
 - Self-service portal
 - Integrated accounting
 - And more!

What is the value of xCAT?

- Scalability (manages hundreds of virtual machines running Linux on System z)
- Performance (minimal overhead)
- Lightweight (download size of 100 MB)
- Cross-platform (supports IBM System x, System p, and System z)
- Open source (EPL) and **free!**

Where do I find help?

- xCAT wiki for z/VM: http://sourceforge.net/apps/mediawiki/xcat/index.php?title=XCAT_zVM
 - Information on setting up and using xCAT
- xCAT YouTube channel: <http://www.youtube.com/user/xcatuser>
 - Demonstrations of how you can manage your systems through xCAT user interface

Where can I find live help?

- Post questions on the xCAT user mailing list: xcat-user@lists.sourceforge.net
- Purchase an IBM Support contract:
<http://www-03.ibm.com/systems/software/xcat/support.html>



Try xCAT today!