

**VELOCITY**  
**S O F T W A R E**

## zVPS, zView and zPro Product Update

Velocity Software Inc.  
196-D Castro Street  
Mountain View CA 94041  
650-964-8867

Velocity Software GmbH  
Max-Joseph-Str. 5  
D-68167 Mannheim  
Germany  
+49 (0)621 373844

Richard Smrcina  
Velocity Software, Inc  
MVMUA - April 30, 2013

## Product updates

- Global Installer
- zMON
- zWRITE
- zTCP
- zVWS
- Portal
- zMAP
- zView
- zALERT
- zPRO

## Velocity Software continues to invest in FULL performance management

- Performance Analysis
  - PAV, etc...
- Capacity Planning
  - zView monthly charting
  - Weekly/Monthly reporting
- Operations
  - zOperator
  - zAlert
- System Administration, Cloud, Chargeback
  - zPro

## Handle console files

- Console files from all products go to ZVPS
- Provide a pre-configured SFPURGER setup
- Require an easy way for customers to send logs
  - ZVPS can be autologged nightly
  - Read in and consolidate console logs
  - View consolidated logs with Portal

## Handle console files

```
ZVPS      FILELIST A0  V 169  Trunc=169  Size=115  Line=1  Col=1  Alt=0
Directory = SFSZVPS:ZVPS.CONSOLES
Cmd  Filename Filetype Fm Format Lrecl  Records  Blocks  Date  Time
INSTALL 20130115 Z1 V 102 330 6 1/16/13 0:00:11
INSTALL 20130116 Z1 V 95 7 1 1/16/13 0:00:11
SFPURGER 20130115 Z1 V 102 44 2 1/16/13 0:00:11
ZALERT 20130114 Z1 V 102 1301 18 1/16/13 0:00:11
ZALERT 20130115 Z1 V 102 2676 37 1/16/13 0:00:11
ZMAP 20130115 Z1 V 102 324 5 1/16/13 0:00:11
ZMON 20130115 Z1 V 122 863 14 1/16/13 0:00:11
ZTCP 20130115 Z1 V 102 2225 42 1/16/13 0:00:11
ZVWS 20130115 Z1 V 107 98 2 1/16/13 0:00:11
ZWRITE 20130115 Z1 V 102 295 5 1/16/13 0:00:11
INSTALL 20130114 Z1 V 111 135 3 1/15/13 0:00:11
ZMAP 20130114 Z1 V 102 409 7 1/15/13 0:00:11
ZMON 20130114 Z1 V 122 865 15 1/15/13 0:00:11
ZTCP 20130114 Z1 V 102 2214 42 1/15/13 0:00:11
ZVWS 20130114 Z1 V 129 99 2 1/15/13 0:00:11
ZWRITE 20130114 Z1 V 102 302 5 1/15/13 0:00:11
1= Help 2= Refresh 3= Quit 4= Cancel 5= Sort(dir) 6= Sort(size)
7= Backward 8= Forward 9= FL /n 10= Share 11= XEDIT/LIST 12= Cursor
DMSWFL1249I Directory has been temporarily accessed as filemode Z
====>
X E D I T 1 File
```

## Handle console files

PORTAL Version 4147

tion for z/VM from Velocity Software, Inc.

Performance | zVWS administration | zTCP administration | zVPS administration | Help  
Show zVPS console logs

### Available zVPS Console Logs

#### zPRO Available Log Files

Select one or more logfiles that you wish to view or download

Download

View

Upload

Reset

#### INSTALL

<input type="checkbox"/> 16 Jan 2013 (7)	<input type="checkbox"/> 12 Jan 2013 (90)	<input type="checkbox"/> 08 Jan 2013 (225)	<input type="checkbox"/> 04 Jan 2013 (50)
<input type="checkbox"/> 15 Jan 2013 (330)	<input type="checkbox"/> 11 Jan 2013 (538)	<input type="checkbox"/> 07 Jan 2013 (292)	<input type="checkbox"/> 03 Jan 2013 (174)
<input type="checkbox"/> 14 Jan 2013 (135)	<input type="checkbox"/> 10 Jan 2013 (45)	<input type="checkbox"/> 06 Jan 2013 (42)	<input type="checkbox"/> 02 Jan 2013 (328)
<input type="checkbox"/> 13 Jan 2013 (45)	<input type="checkbox"/> 09 Jan 2013 (460)	<input type="checkbox"/> 05 Jan 2013 (43)	<input type="checkbox"/> 01 Jan 2013 (42)

#### SFPURGER

<input type="checkbox"/> 15 Jan 2013 (44)	<input type="checkbox"/> 11 Jan 2013 (44)	<input type="checkbox"/> 07 Jan 2013 (44)	<input type="checkbox"/> 03 Jan 2013 (51)
<input type="checkbox"/> 14 Jan 2013 (44)	<input type="checkbox"/> 10 Jan 2013 (47)	<input type="checkbox"/> 06 Jan 2013 (44)	<input type="checkbox"/> 02 Jan 2013 (44)
<input type="checkbox"/> 13 Jan 2013 (44)	<input type="checkbox"/> 09 Jan 2013 (44)	<input type="checkbox"/> 05 Jan 2013 (44)	<input type="checkbox"/> 01 Jan 2013 (44)
<input type="checkbox"/> 12 Jan 2013 (44)	<input type="checkbox"/> 08 Jan 2013 (44)	<input type="checkbox"/> 04 Jan 2013 (44)	

## Handle console files

### zVPS Console Log Display - INSTALL 12 Jan 2013

Display  records Showing 1 to 25 of 90 entries

First Previous **1** 2 3 4 Next Last Search:

Seq	Origin	Date	Message
1	ZVPS	2013-01-12	LOGOFF AT 09:30:57 PDT SATURDAY 01/12/13
2	ZVPS	2013-01-12	CONNECT= 00:44:10 VIRTCPU= 000:00.03 TOTCPU= 000:00.04
3	ZVPS	2013-01-12	log
4	ZVPS	2013-01-12	Ready; T=0.01/0.01 09:30:56
5	ZVPS	2013-01-12	filel * * z
6	ZVPS	2013-01-12	Ready(00028); T=0.01/0.01 09:28:46
7	ZVPS	2013-01-12	DMSWFL002E File * Z not found
8	ZVPS	2013-01-12	filel * z
9	ZVPS	2013-01-12	Ready; T=0.01/0.01 09:28:43
10	ZVPS	2013-01-12	DMSVML2060I SFSZVPS:ZALERT. accessed FORCERW as file mode Z
11	ZVPS	2013-01-12	vmlink .dir zalert. (w
12	ZVPS	2013-01-12	09:27:16 * MSG FROM ZALERT : PAGE RATE IS 47 (30)
13	ZVPS	2013-01-12	09:26:16 * MSG FROM ZALERT : PAGE RATE IS 35 (30)
14	ZVPS	2013-01-12	09:23:16 * MSG FROM ZALERT : PAGE RATE IS 31 (30)
15	ZVPS	2013-01-12	09:22:16 * MSG FROM ZALERT : PAGE RATE IS 49 (30)

## Show availability of MIB groups on ESALNXUP

Linux Node Status														
Time	Node	State	<Source>	<-Uptime-> days:hh:mm	<-Local Time->	<----- Metrics Available ----->								
15:02:00	roblx2	Up	VSI 4131	52 06:27	13/01/18 00:01	TCP	UDP	IP	ICMP	IF	SYS	UCD	HOST	VSI
15:02:00	vpnbrc	Up	VSI 4131	122 02:48	13/01/18 08:05	TCP	UDP	IP	ICMP	IF	SYS	UCD	HOST	vsi
15:02:00	redhat6x	Up	VSI 4131	401 22:41	13/01/17 15:01	TCP	UDP	IP	ICMP	IF	SYS	UCD	HOST	VSI

## Add memory overcommit to ESASTR1

- Also in *subsum.overcommit*

<MDC>	Diag	Capture	Over-
Rsdnt	98	Ratio	commit
<----->			
42801	16K	0.994	6.81
42861	16K	0.994	6.81
44677	16K	0.994	6.81
42945	16K	0.994	6.81
43266	16K	0.994	6.81
42773	16K	0.994	6.81

## Additional return code

- When a criteria option results in no returned data
- RC=309



ESAPARM EXEC can specify multiple virtual machines that are autologged at midnight

- ESAMAP = 'ZMAP ZVPS'

Read-only mount points can be detected

- hstmem.rwflag TM 01

LINUX HOST Storage											
<-Utilization->											
<MegaByte> Pct Alloc											
Time	Node/Group	Index	Size	Used	Full	Err	Units	R/W	Boot	Storage Description	
14:59:00	sles1lx	10	4219	0	0.0	0	1K			Swap space	
14:59:00	sles1lx	7	293	293	100	0	1K			Cached memory	
14:59:00	sles1lx	32	247	0	0.0	0	4K	r/w	No	/dev	
14:59:00	sles1lx	6	494	129	26.1	0	1K			Memory buffers	
14:59:00	sles1lx	3	4713	489	10.4	0	1K			Virtual memory	
14:59:00	sles1lx	31	11080	3714	33.5	0	4K	r/w	Yes	/	
14:59:00	sles1lx	1	494	489	98.9	0	1K			Physical memory	
14:59:00	sles1l	31	6929	3786	54.6	0	4K	r/w	Yes	/	
14:59:00	sles1l	10	4211	0	0	0	1K			Swap space	
14:59:00	sles1l	7	160	160	100	0	1K			Cached memory	
14:59:00	sles1l	6	495	141	28.5	0	1K			Memory buffers	
14:59:00	sles1l	3	4705	369	7.8	0	1K			Virtual memory	
14:59:00	sles1l	1	495	369	74.7	0	1K			Physical memory	

Allow for 32 byte mount point display

- `hstmem.desc||hstmem.desc`

Several Linux screens support node groups

Per-CPU metrics display on ESALNXS

32 bit counters for DASD I/O

Enhanced LPAR metrics

Support for longer mount point name

When storage constrained

- SHARE ABSOLUTE 3%
- COMMAND SET RESERVED \* 5000

Support up to 32 virtual CPUs

Support z196/EC12

Additional updates and fixes

Stability, resiliency and performance fixes

To make sure zTCP can get resources

- SHARE ABS 3%
- COMMAND SET RESERVED \* 3000

Verify that SNMP has a 'nice' setting of -10

Stability and bug fixes

Significant amount of work on SSL

- Packaged as zSSL
- Soon to include client certificate support

Web server works very well with VM SSL

zVWS is instrumental in use of zView and zPro

Ships with 5 web server virtual machines

Javascript updates

Add console handling screen

Stability and bug fixes

Include process 'nice' value on ESALNXC

Increase counter sizes

HiperPAV information on ESADSD1

FCX/zHPF report changes

Support up to 32 vCPUs

Support z196/EC12

```
ESAMAP 4.1.2 01/17/13 Page 954
3 00:00:00
3 24:00:00
-----
ss---> <Storage(k)> Proc NICE
rms   Size  RSS  TYPE  Valu
-----
*****

      847   324   4    0
        0     0   4   -5
         0     0   0    0
         0     0   4    0
    11559  5828   4  -10
     2335   768   4    0
     2247   868   4    0
```

```
ESAMAP 4.1.2 01/17/13 Pg 1133
.3 00:00:00
.3 24:00:00
-----
atus--> Cache PAV <-HiperPav>
low Shr STGID BASE Type Pool
-----
On No 4040 . . .
. No 0300 . . .
On No 0120 . . .
. No 0120 . . .
. No 0120 . . .
. No 0120 . . .
. No 0120 . . .
```

## Capacity planning charts

- Many requests for custom graphs
- Provide a mechanism to create graphs with any data that can be generated with ESAEXTR
- Runs automatically with ZMAP
- Charts appear in zView
- Chart data is available for custom use outside of zMAP/zView



## Capacity planning charts

- Introduces a new control file  
**RUNCHART PARMS**
- Charts can be generated by **MINUTE, DAY, WEEK, MONTH** or a user selected period

```

;Chart Syntax: type days strt stop extr parm
; Where type is MINUTE/DAILY/WEEK/MONTH
; "days" is the previous "n" days
; TimesT is called with these parms

;      type  days  strttime  stop  extractname  parm
CHART  MINUTE  1      08:00  17:00  LXCPUMIN     LINUX001
CHART  MINUTE  1      08:00  17:00  LXSTORMN     LINUX001
CHART  MINUTE  1      08:00  17:00  LXSWAP       LINUX001
CHART  MINUTE  1      08:00  17:00  LXBLKIO      LINUX001

;HART  DAILY   1      00:00  24:00  LPARCPUS
;HART  DAILY   1      00:00  24:00  LPARCPUS     lparname
CHART  DAILY   1      00:00  24:00  UXACT        System:
CHART  DAILY   1      00:00  24:00  UXACT        LINUX001

CHART  WEEK    7      00:00  24:00  UXACT        System:
CHART  WEEK    7      07:00  17:00  LXCPU        LINUX001

CHART  MONTH   31     00:00  24:00  UXACT        System:
CHART  MONTH   31     *      *      LXCPUM       LINUX001
CHART  MONTH   31     *      *      LXSTOREM     LINUX001

CHART  NDAYS   31     *      *      LXCPU        LINUX001
CHART  NDAYS   31     *      *      LXSTORE      LINUX001

CHART  NDAYS   35     *      *      UDIO         LINUX001
CHART  NDAYS   35     *      *      USTOR        LINUX001
CHART  NDAYS   35     *      *      UCPU         LINUX001

```

## Capacity planning charts

- Extracting data  
LXCPUMIN ESAEXTR
- 'Title' becomes the heading of the graph
  - Variables &USERID, &SDATE, &EDATE
  - &USERID is the qualifying parameter passed
- Additional 'Title' statements define the graph labels and Y-Axis legend

```
EXTRACT:                ; First extract system data
Title = 'Linux CPU Analysis by Node &USERID &SDATE'
Title = '*Labels CPU Sys_CPU User_CPU'
TITLE = '*Yaxis Percent'

X = 'STOPTIME'
Y = 'NODE'
Y = 'UCDSYS.TOTCPU ' ;cpu utilization
Y = 'UCDSYS.SYSTPCT'
Y = 'UCDSYS.USERPCT'
```

## Capacity planning charts

- Output data uses specific file names for identification

```

LINUX001 CTLXC016 A2  V 80  Trunc=80 Size=543 Line=0 Col=1 Alt=0

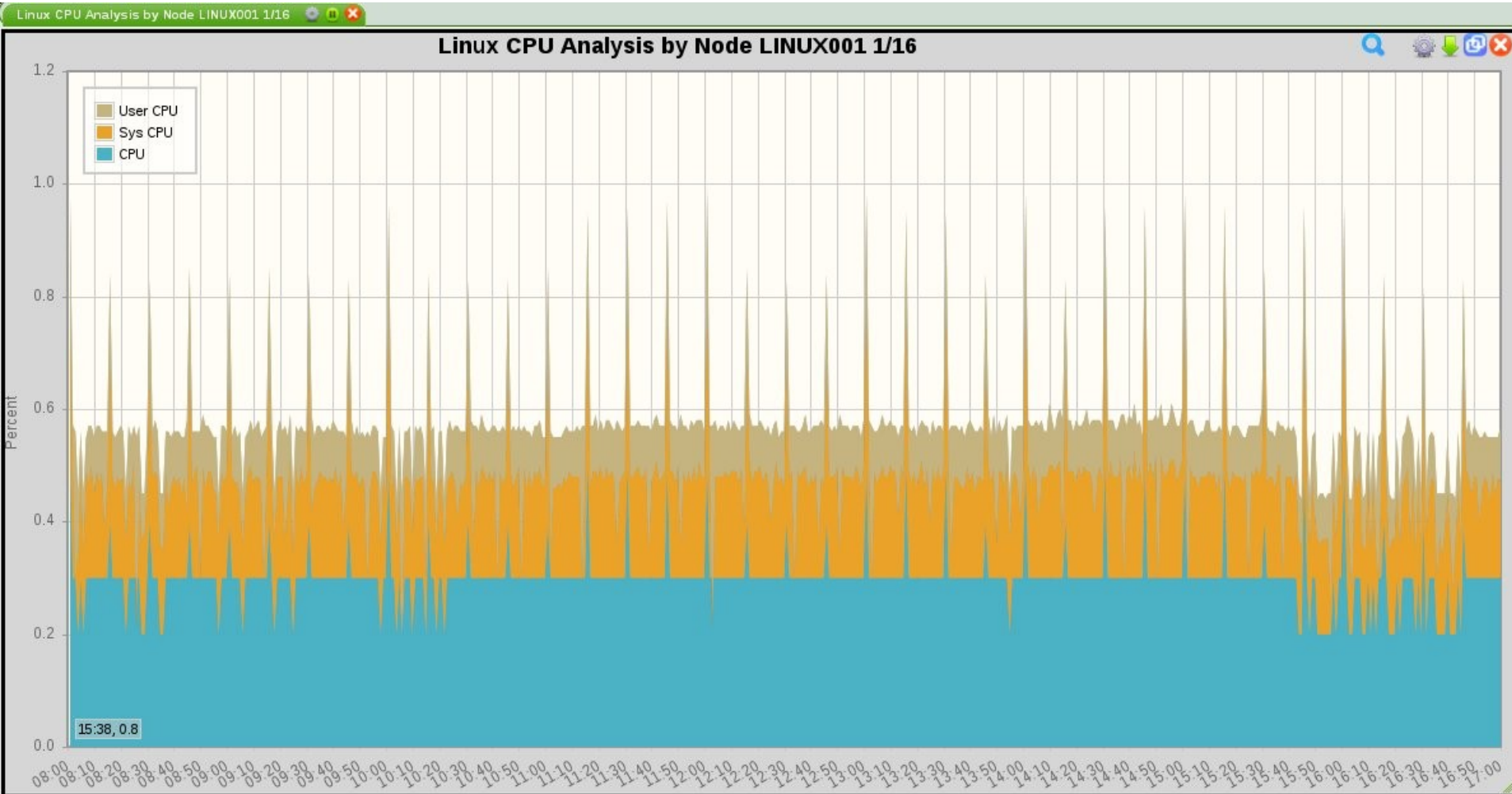
|...+....1....+....2....+....3....+....4....+....5....+....6.
===== * * * Top of File * * *
===== TITLE: Linux CPU Analysis by Node &USERID &SDATE
===== Labels: CPU Sys_CPU User_CPU
===== Yaxis: Percent
===== "20130116","080000","080100","linux001","0.5","0.31","0.16"
===== "20130116","080100","080200","linux001","0.3","0.20","0.07"
===== "20130116","080200","080300","linux001","0.3","0.00","0.26"
===== "20130116","080300","080400","linux001","0.2","0.15","0.10"
===== "20130116","080400","080500","linux001","0.3","0.19","0.07"
===== "20130116","080500","080600","linux001","0.2","0.15","0.10"

```

## Capacity planning charts

- In zView

The screenshot displays the zView interface with a top navigation bar containing buttons for 'Add tab', 'Arrange', 'Load View', and 'Save View'. Below this, there are four main menu items: 'zMON', 'Graphs', 'zMAP', and 'Capacity'. The 'Capacity' menu item is highlighted in green. The main content area is titled 'Minute Reports' and shows a hierarchical view of reports for 'Linux' and 'LINUX001'. The reports are organized by date, with the most recent report for '16 Jan 2013' expanded to show a list of metrics: 'Linux Block I/O', 'Linux CPU Analysis by Node', and 'Linux Swap Rate'. Below this, there are buttons for '15 Jan 2013' and '14 Jan 2013'.



## Capacity planning charts

- The following samples are provided

**LPARCPUS** – LPAR utilization

**LXBLKIO** - Linux block I/O

**LXCPU** - Linux CPU utilization by type

**LXCPUM** – Monthly Linux CPU utilization by type

**LXCPUMIN** – Minute Linux CPU utilization by type

**LXSTORE** – Linux storage usage by type

**LXSTOREM** – Monthly Linux storage usage by type

**LXSTORMN** – Minute Linux storage usage by type

**LXSWAP** – Linux swap rate

**UCPU** – User CPU utilization

**UDIO** – User DASD I/O rate

**USTOR** – User storage usage

**UXACT** - User wait analysis

## Capacity planning charts

- Graphs can be generated manually
  - Testing new
  - Recovering graph data from history
- From ZMAP (always log off when completed)  
RUNCHART parms

where parms are as follows:

DAILY yyymmdd

WEEK week\_number

MONTH month\_number

NDAYS

MINUTE yyymmddd

## Capacity planning charts

- Automatic chart deletion
- In RUNAUTO PARMS

**CHARTCNT 6 8 7 3 1**

Keeps 6 monthly files,

8 weekly files,

7 daily files,

3 minute files and

1 NDAY file

for each graph specified in RUNCHART PARMS file.



Stability and support fixes

Reduced local browser storage requirements

Capacity Planning chart processing/display

Newer functions (eg: Capacity charts) require updates in other base products

- Make sure everything is up to date to get the latest support

## zView menu

- Expandable sections
- Select a list item to display
- Tabbed display area
- Tab can be saved as a view
- Loaded later
- Made into default

The image displays three screenshots of the zView interface, illustrating its menu structure and tabbed display area.

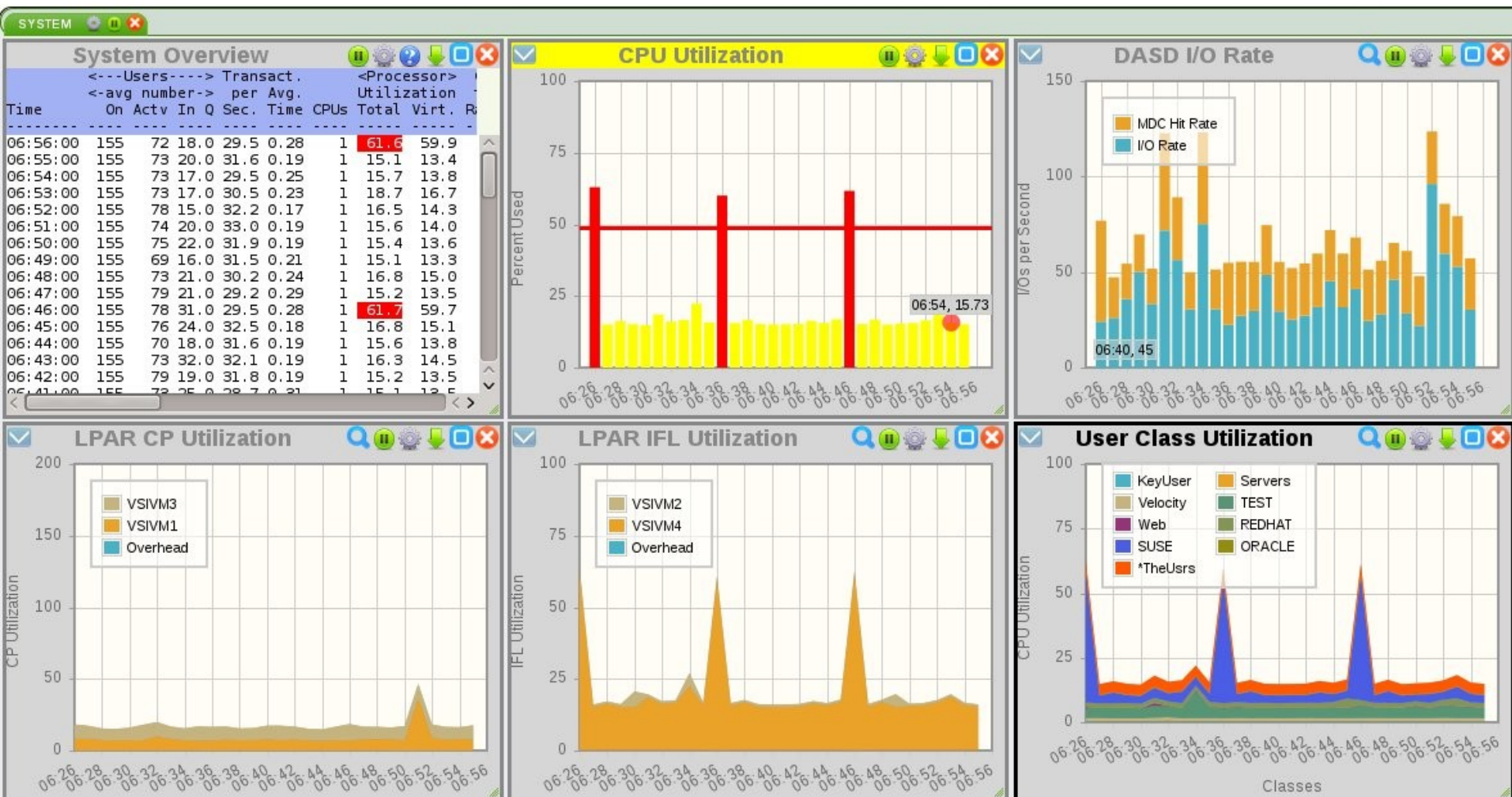
**Left Screenshot:** Shows the main menu with tabs for 'zMON', 'Graphs', 'zMAP', and 'Capacity'. The 'System' section is expanded, showing a list of users (ESASUR1 through ESAUSPG) and other system components like Shared File System, CPU, Main Storage, etc.

**Middle Screenshot:** Shows the 'Linux' section expanded, displaying a list of metrics such as Block I/O Rate, CMM Size, Node Utilization, Storage Allocation, Swap Rate, Swap Utilization, and Switch Rate. Other sections like Storage, I/O, Paging, Network, and Custom Graphs are also visible.

**Right Screenshot:** Shows the 'Daily Reports' section expanded, displaying a list of dates from Thu 17 Jan 2013 to Fri 21 Dec 2012.

## zView display

- Default startup view



## zView display

- View handling

**Load/Save Views** ×

**Load a view**

Load view from a cookie  
Load view from the PC  
Load view from the server  
Remove startup view

**Load/Save Views** ×

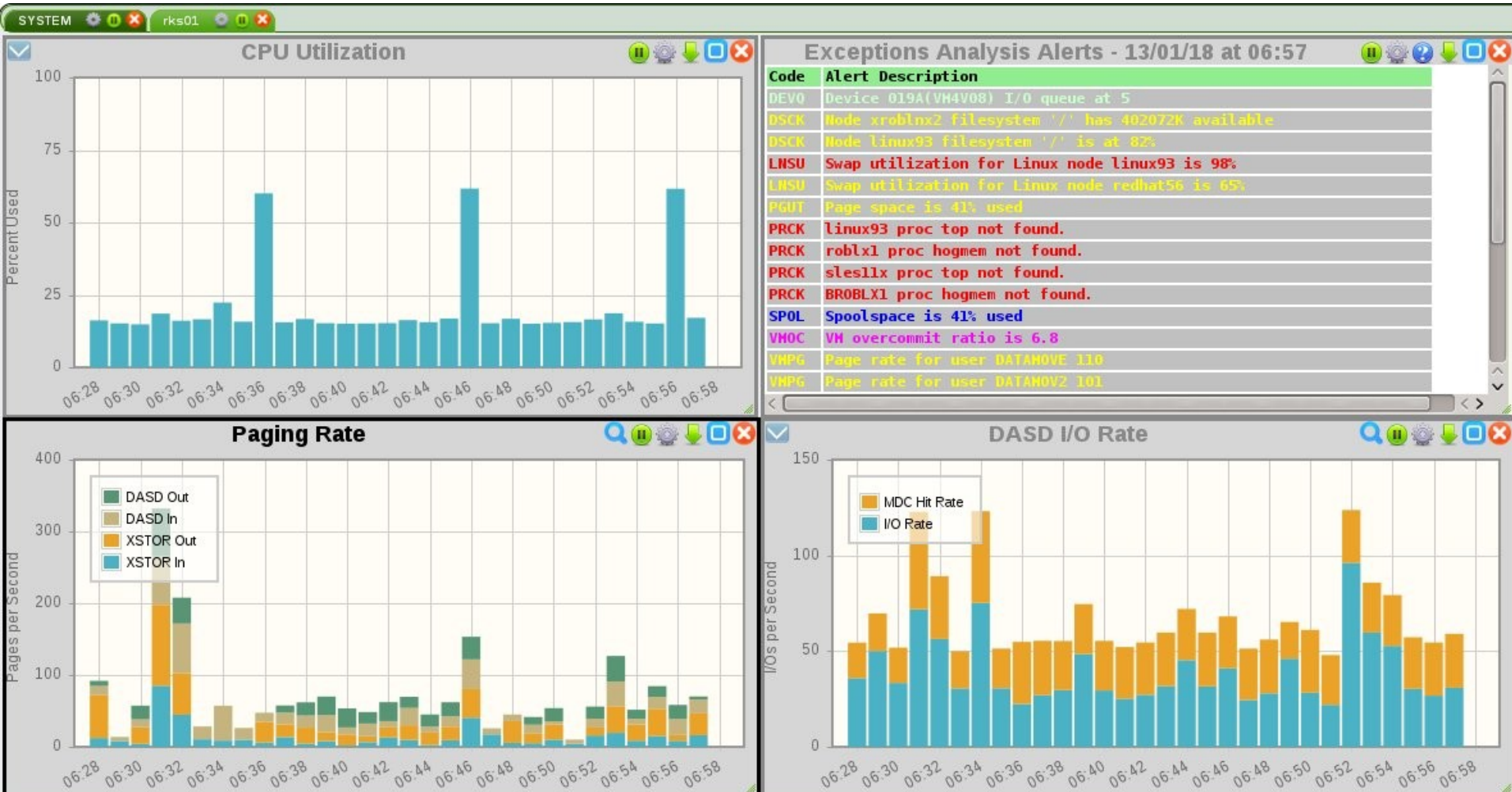
**Click on a viewname to load**

rks01 rks02 rks03 alrtview

Cancel

## zView display

- View handling



## Future development...

- CECLIST enhancements
  - Enterprise view
- Security
- Sort display columns
- CSV downloads
- Tablet support
- Single server view
- Distributed server view  
(Windows, other Linux/Unix, etc)



## Allow specification of TRAP on LEVEL statement

- Synonym of ALERT
- Triggers an SNMP trap

## Support cascading alerts

- One alert triggers another alert

## Add new standard variables

- &code - Alert code
- &tlevel - Trigger level

## Generalized notification system

- Allows specification of emails or traps that can be sent to users for specific alerts
- Triggered by NOTIFY on the LEVEL statement
- Messages can be sent out at certain times of day
- Calendar mechanism available to exclude specified dates



## Added SMSG support when running disconnected

- Available commands, STATUS, RESTART, STOP
- Configuration file allows specification of authorized users

When running disconnected, alerts execute at 10 seconds after each minute

New LTEXT directive which allows a separate text message on LEVEL statements

## Alert counting support

- Turned on with COUNT option on ALERT statement
- Display with &tcount variable

Code optimizations and fixes

## Coming soon...

- Initial notification when using LIMIT statement
  - Provides first notice that a threshold has been exceeded
- Better handling of disconnected session
  - Allow re-connect and disconnect from 3270
- Alert logging
  - All alerts that would come up on the display
  - Controlled at alert level
  - Retention of both alert and notification log files

## Support for VM:Secure as directory manager, ESM and SMAPI

- New configuration keywords
- VM:Secure config requirements in README

## Wizards

- Allows common tasks to be done quickly



## Wizards

- Add minidisk wizard

### Add Minidisk Wizard

**Minidisk definition**

Userid:  Virtual address:  Devtype:

Disksize:  AllocType:  Location:

- Storage wizard

### User Storage Wizard

**Change storage**

Userid:

**Default storage**

Value:  Units:

**Maximum storage**

Value:  Units:

# New spool display option

## zPRO System Status - Spool report by user

### Spool Files Summary Report - Click on a user to expand

Sort Blks Sort User

Reader files/blocks: 1,779 141,630  
 Printer files/blocks: 256 26,235  
 Punch files/blocks: 0 0  
 Total files/blocks: 2,035 167,865

User: ES4MON	188	22,911	1	229	0	0	189	23,140
User: MAINT	187	23,035	0	0	0	0	187	23,035
User: ESAMON	33	12,651	0	0	0	0	33	12,651

SelectPage Reset Purge Xfer Hold Nohold SysHold SysFree

Display 10 records Copy CSV PDF Print Search:

Showing 1 to 10 of 33 entries

First Previous 1 2 3 4 Next Last

Sel	Queue	Owner ID	Spool ID	Class	Device	Records	Copies	Hold	Date	Time	Filename	Filetype	Dist
<input type="checkbox"/>	RDR	ESAMON	3894	T	CON	11,966	001	NONE	2013-01-02	00:00:02			ESASERVE
<input type="checkbox"/>	RDR	ESAMON	3895	T	CON	10,995	001	NONE	2013-01-02	00:00:02			ESAWRITE
<input type="checkbox"/>	RDR	ESAMON	3896	T	CON	26	001	NONE	2013-01-03	16:10:57			ESAMON
<input type="checkbox"/>	RDR	ESAMON	3897	T	CON	13,845	001	NONE	2013-01-03	00:00:02			ESAWRITE
<input type="checkbox"/>	RDR	ESAMON	3898	T	CON	14,910	001	NONE	2013-01-03	00:00:02			ESASERVE
<input type="checkbox"/>	RDR	ESAMON	3899	T	CON	16,530	001	NONE	2013-01-04	00:00:07			ESAWRITE
<input type="checkbox"/>	RDR	ESAMON	3900	T	CON	17,512	001	NONE	2013-01-04	00:00:07			ESASERVE
<input type="checkbox"/>	RDR	ESAMON	3901	T	CON	15,465	001	NONE	2013-01-05	00:00:08			ESAWRITE
<input type="checkbox"/>	RDR	ESAMON	3902	T	CON	16,599	001	NONE	2013-01-05	00:00:08			ESASERVE
<input type="checkbox"/>	RDR	ESAMON	3903	T	CON	16,721	001	NONE	2013-01-06	00:00:07			ESASERVE

User: TIMK	6	11,911	1	1	0	0	7	11,912
User: SUSELNX2	0	0	1	9,051	0	0	1	9,051
User: DSADEV	229	8,059	2	42	0	0	231	8,101

# New spool display option

zPRO System Status - Spool all system																		
Select Page		Reset	Purge	Xfer	Hold	Nohold	SysHold	SysFree										
Display	25	records	Copy	CSV	PDF	Print	Search:											
Showing 1 to 25 of 2,035 entries										First	Previous	1	2	3	4	5	Next	Last
Sel	Queue	Owner ID	Spool ID	Class	Device	Records	Copies	Hold	Date	Time	Filename	Filetype	Dist					
<input type="checkbox"/>	RDR	DSADEV	0353	T	CON	76	001	USER	2011-04-21	14:42:18			VSIMAIN					
<input type="checkbox"/>	RDR	DSADEV	0304	T	CON	14	001	USER	2011-03-09	16:56:01			VSIMAIN					
<input type="checkbox"/>	RDR	DSADEV	0290	T	CON	14	001	USER	2010-12-14	12:42:27			SYSPROG					
<input type="checkbox"/>	RDR	DSADEV	0287	T	CON	32	001	USER	2010-12-10	14:13:29			SYSPROG					
<input type="checkbox"/>	RDR	DSADEV	0350	T	CON	99	001	USER	2011-04-20	16:20:07			VSIMAIN					
<input type="checkbox"/>	RDR	DSADEV	0302	T	CON	1,849	001	USER	2011-02-18	14:42:56			SYSPROG					
<input type="checkbox"/>	RDR	DSADEV	0301	T	CON	54	001	USER	2011-02-18	14:12:54			VSIMAIN					
<input type="checkbox"/>	RDR	DSADEV	0246	T	CON	69	001	USER	2010-09-15	11:19:26			VSIMAIN					
<input type="checkbox"/>	RDR	DSADEV	0317	T	CON	195	001	USER	2011-03-22	09:42:20			VSIMAIN					
<input type="checkbox"/>	RDR	DSADEV	0316	T	CON	141	001	USER	2011-03-22	08:51:48			VSIMAIN					
<input type="checkbox"/>	RDR	DSADEV	0303	T	CON	54	001	USER	2011-03-07	16:45:51			VSIMAIN					
<input type="checkbox"/>	RDR	DSADEV	0307	T	CON	23	001	USER	2011-03-18	14:56:17			VSIMAIN					
<input type="checkbox"/>	RDR	DSADEV	0484	T	CON	482	001	USER	2011-08-15	14:42:29			VSIMAIN					



## User status actions

- On a single user

**zPRO System Status - User Display**

Reset All    Action    Colors

Display 20 records    Copy    CSV    PDF    Print    Search: s11

Showing 1 to 18 of 18 entries (filtered from 1,334 total entries)

Sel	Userid	Status	User type	CPU Util	VM Size MB	Share
<input type="checkbox"/>	RMTS11G1	DSC	USER	0.085	256	100R
<input type="checkbox"/>	SLES11	DSC	USER	0.206	512	100R/20.01068A-S
<input type="checkbox"/>	SLES11X	DSC	USER	0.321	512	100R
<input type="checkbox"/>	SLES11X2	DSC	USER	0.287	1024	100R
<input type="checkbox"/>	S11S2ORA	DSC	USER	0.056	1024	100R
<input type="checkbox"/>	RMTS11G2	!InActive	USER	0.000	0	0
<input type="checkbox"/>	S11RS001	!InActive	USER	0.000	0	0
<input type="checkbox"/>	S11RS002	!InActive	USER	0.000	0	0
<input type="checkbox"/>	S11RS003	!InActive	USER	0.000	0	0
<input type="checkbox"/>	S11RS004	!InActive	USER	0.000	0	0
<input type="checkbox"/>	S11RS005	!InActive	USER	0.000	0	0
<input type="checkbox"/>	S11RS006	!InActive	USER	0.000	0	0
<input type="checkbox"/>	S11RS007	!InActive	USER	0.000	0	0
<input type="checkbox"/>	S11RS008	!InActive	USER	0.000	0	0
<input type="checkbox"/>	S11RS009	!InActive	USER	0.000	0	0
<input type="checkbox"/>	S11S2GLD	!InActive	USER	0.000	0	0
<input type="checkbox"/>	S11S2RS1	!InActive	USER	0.000	0	0
<input type="checkbox"/>	S11S2RS2	!InActive	USER	0.000	0	0

**Select Operation** ✕

Select the action you wish to perform

- Stop Immediate
- Stop with System Default Wait
- Stop Within
- Stop By
- Start
- Set SECUSER to
- Set OBSERVER to
- Send a Message

0    0    0    0    0    0    0    0    0



## User status actions

- Or select multiple users

Reset All    Action    Colors						
Display 20 records    Copy    CSV    PDF    Print						
Showing 1 to 18 of 18 entries (filtered from 1,334 total entries)						
Sel	Userid	Status	User type	CPU Util	VM Size MB	Sh
<input type="checkbox"/>	RMTS11G1	DSC	USER	0.085	256	100R
<input type="checkbox"/>	SLES11	DSC	USER	0.206	512	100R
<input type="checkbox"/>	SLES11X	DSC	USER	0.321	512	100R
<input type="checkbox"/>	SLES11X2	DSC	USER	0.287	1024	100R
<input type="checkbox"/>	S11S2ORA	DSC	USER	0.056	1024	100R
<input type="checkbox"/>	RMTS11G2	!Inactive	USER	0.000	0	0
<input checked="" type="checkbox"/>	S11RS001	!Inactive	USER	0.000	0	0
<input checked="" type="checkbox"/>	S11RS002	!Inactive	USER	0.000	0	0
<input checked="" type="checkbox"/>	S11RS003	!Inactive	USER	0.000	0	0
<input checked="" type="checkbox"/>	S11RS004	!Inactive	USER	0.000	0	0
<input checked="" type="checkbox"/>	S11RS005	!Inactive	USER	0.000	0	0
<input type="checkbox"/>	S11RS006	!Inactive	USER	0.000	0	0
<input type="checkbox"/>	S11RS007	!Inactive	USER	0.000	0	0
<input type="checkbox"/>	S11RS008	!Inactive	USER	0.000	0	0

### Select Operation ✕

Select the action you wish to perform

- Stop Immediate ?
- Stop with System Default Wait ?
- Stop Within  ?
- Stop By  ?
- Start ?
- Set SECUSER to  ?
- Set OBSERVER to  ?
- Send a Message  ?

## Security changes

- Control which directory options a user can set
- Maximum amount of storage
- Maximum absolute share
- Allow RACF user to not have to reset their password on first login
- Allow RACF user to not be required to change their password at set intervals
- Designate who can view/alter
  - DASD, CTC, OSA, FCP, Vswitch

## Development ideas

- User accounting setup and tracking
- Auto start server after cloning
- Dirmaint configuration
- Multiple device attach at clone time
- DCSS waterfall
- Specific userid/IP address at clone time
- Mobile/tablet support

## User accounting setup and tracking

System Status	Manage Users	z/VM Admin	Velocity Products	Security
	Directory Maintenance			
	Cloning			
	zPRO Server Expirations			
	IP Address Maintenance			
	Group Freespace			
	zPRO Wizards			
				New User Wizard
				User Minidisk Wizard
				User Storage Wizard
				New Proxy Wizard
				User Network Wizard
				User SFS Wizard
				User Accounting Wizard

Welco



# User accounting setup and tracking

**Cost & Accounting Wizard**

**User accounting**

Userid:

**Today**

	Usage	Cost
CPU Hours	.183	3.660
Memory GB	18.6	18.6
Storage GB	0.14	0.14
IFT Xmit GB	2.133	0.0711
DC Factor		44.9422
<b>Total</b>		<b>67.4133</b>

**This month**

	Usage	Cost
CPU Hours	4.209	84.180
Memory GB	3422.4	427.8
Storage GB	3.22	3.22
IFT Xmit GB	1.6353	1.6353
DC Factor		1033.6706
<b>Total</b>		<b>1550.5059</b>

**Cost factors**

	Cost	
CPU: \$	<input type="text" value="20"/>	Per CPU Hour
Memory: \$	<input type="text" value="1"/>	Per GB/Hours
Storage: \$	<input type="text" value="1"/>	Per GB/Month
IFT Xmit GB: \$	<input type="text" value="1"/>	Per GB Xfer/Month
Data Center factor:	<input type="text" value="2"/>	

# Dirmaint configuration

Dirmaint configuration

**Regions**

Region Name	Valid	Start	End	DevType
<input type="checkbox"/> VMR001	VMR001	0	End	3390-03
<input type="checkbox"/> VMR002	VMR002	0	End	3390-03

Region Name: Valid: Start: End: Dev Ty|

**Groups**

Allocate Rotating

Group content

VMR001  
VMR002

Available Region

VMR003

**Exclude**

UserID	Minidisk
<input type="checkbox"/> MAINT	12*
<input type="checkbox"/> SYSDUMP	125

UserID: Minidisk:

**Defaults**

Device Type	Size
<input type="checkbox"/> 3390-64	65536
<input type="checkbox"/> 9336-2G	214748364

Device Type: Size:

## Specific userid/IP address at clone time

Form3

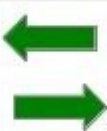
**Clone new image(s) from golden image LINUX001**

Create a single userid     Create a multiple userids    Count

Virtual Machine Name Pattern:     Password(Same password for all):

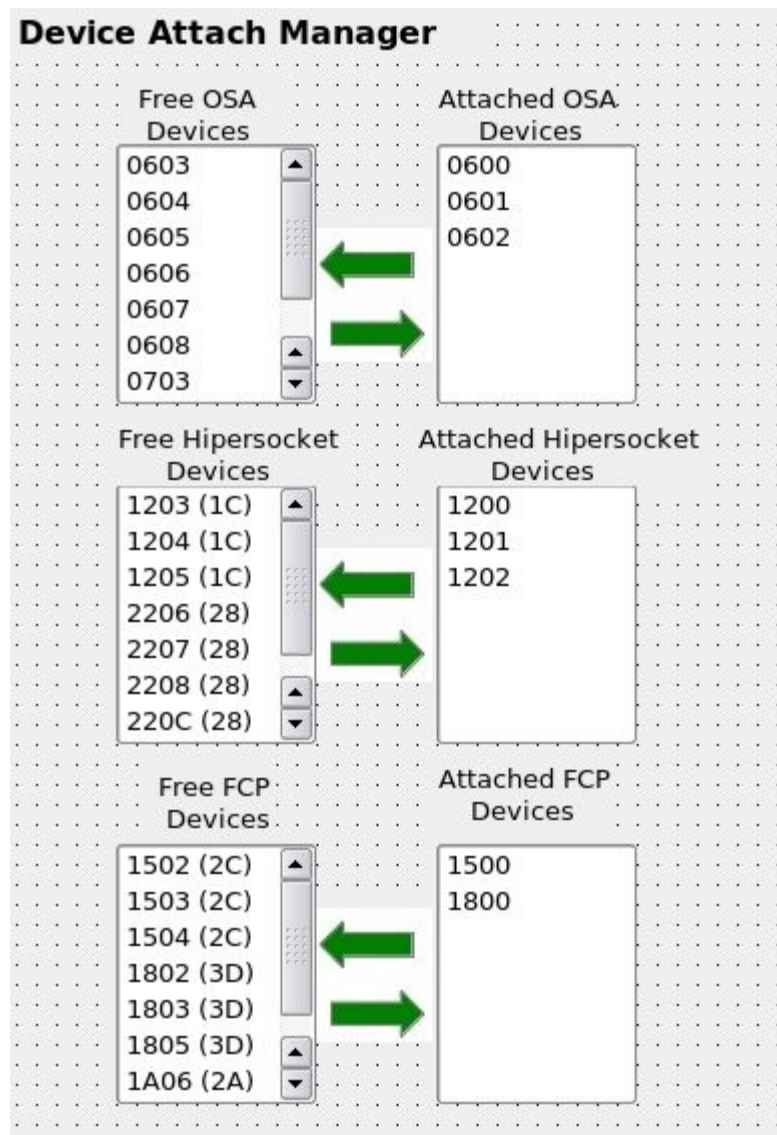
Enter virtual machine name     Assign IP Addresses     Add nodes to zTCP    Community name:

Virtual Machine Names:	IP Addresses:	Available IP Addresses:
ZA002MVW	192.168.7.90	192.168.7.94
ZA003MVW	192.168.7.200	192.168.7.95
ZA004MVW	192.168.7.202	192.168.7.98
ZB006COL	192.168.7.91	192.168.7.99
ZB007COL	192.168.7.92	192.168.7.204
ZB008COL	192.168.7.203	192.168.7.205
ZB009COL	192.168.7.93	192.168.7.206





Multiple device attach  
at clone time





## Questions?

Velocity Software Inc.  
196-D Castro Street  
Mountain View CA 94041  
650-964-8867

Velocity Software GmbH  
Max-Joseph-Str. 5  
D-68167 Mannheim  
Germany  
+49 (0)621 373844

Rich Smrcina  
Velocity Software, Inc.  
[rich@velocitysoftware.com](mailto:rich@velocitysoftware.com)